

ZGSM-GCD240HB

Introducing a New Premium Experience

Brighter
400W HID Replacement



Dimming functions are supported by optional
 † Three in One (1-10V DC or PWM Signal or Resistance)
 † Timer - Contact ZGSM for Details

Specifications

Electrical Specifications:

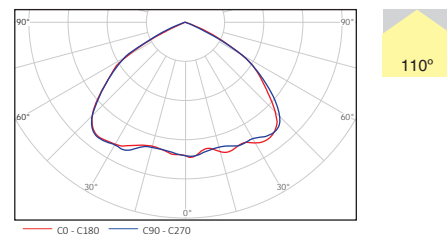
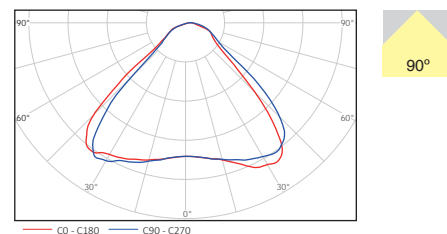
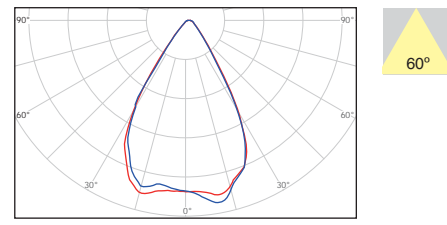
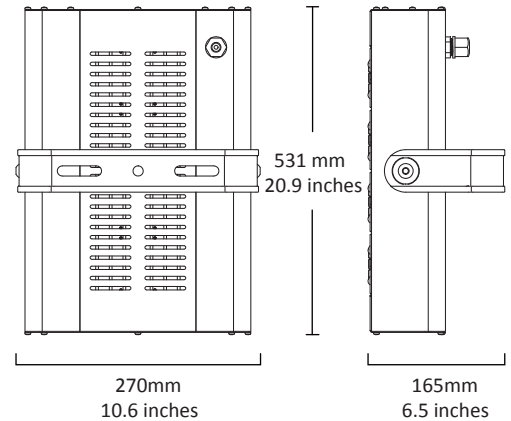
Model No.	ZGSM-GCD240HB
Nominal Wattage	240W
Nominal Voltage	AC 100-240V /277V, 50/60Hz
Maximum Current	AC 2.47A -120V, 1.23A -240V, 1.07A -277V
Operating Temperature	-40 °C to +50 °C
Power Factor (PF)	> 0.9
Driver Efficiency	> 90%

Photometric Specifications:

Lumen Output	22800 lm (+/- 5%)
Photometric Type	60° 90° 110°
CRI	> 70 CRI
CCT	<div style="display: flex; gap: 10px;"> <div style="border: 1px solid black; border-radius: 50%; padding: 2px 5px;">4000K</div> <div style="border: 1px solid black; border-radius: 50%; padding: 2px 5px;">5000K</div> <div style="border: 1px solid black; border-radius: 50%; padding: 2px 5px;">5700K</div> </div>

Mechanical Specifications:

Ratings	IP66, IK10
Lumen Maintenance	> 60,000 hours -L70(9K), @25 °C (77 °F)
Heat Radiator	Anodized Aluminum
Lens	PC
Fixture Dimension	531 x270 x165 mm 20.9 x10.6 x6.5 inches
Fixture Weight	6.8 kg /15.0 lbs



Packing Type

1 unit(s) /ctn.

Packing Dimension

650 x370 x200 mm
25.6 x14.6 x7.9 inches

Packing Weight

7.9 kg /17.4 lbs



CE RoHS CB

www.zgsm-china.com

